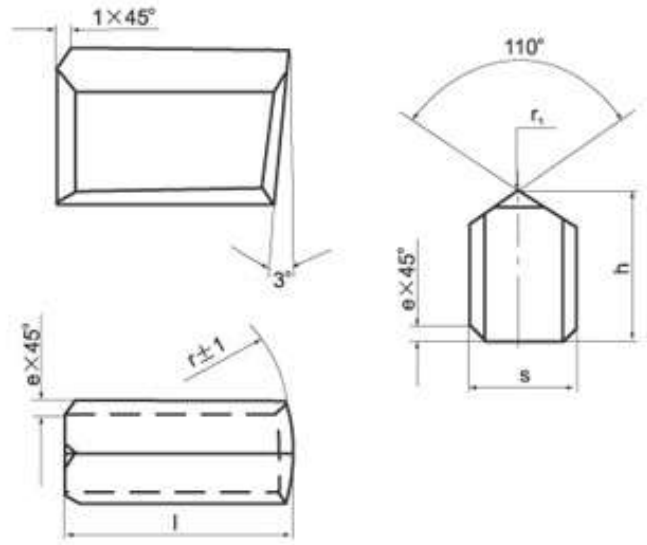


凿岩工具用硬质合金制品 YS/T296-1994

Cemented carbide products for rock drilling tools YS/T296-1994

// K1 型 // K1 Type

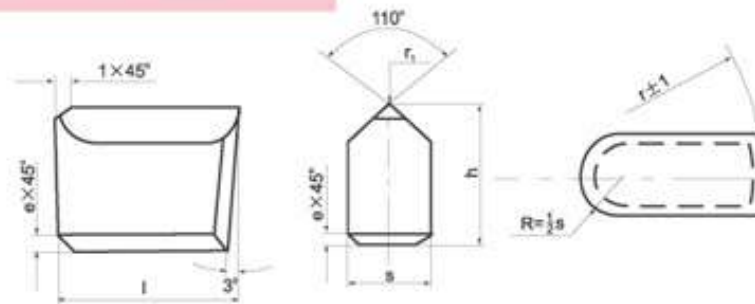
型号 Type	公称尺寸 Nominal size					
	l	h	s	e	r	r ₁
K106	6	12	6	1	20	1
K107	7	12	6	1	20	1
K108	8	12	6	1	20	1
K109	9	12	8	1	20	1
K110	10	12	8	1	20	1
K111	11	12	8	1	20	1
K112	12	12	8	1	20	1
K113	13	12	8	1	20	1
K114	14	12	8	1	20	1
K115	15	12	8	1	20	1
K115H	15	14	8	1	20	1
K116D	16	19	8	1	20	1
K116	16	14	8	1	20	1
K117	17	14	8	1	20	1
K117H	17	16	10	1	20	1
K118	18	12	8	1	20	1
K119	19	14	8	1	22	1
K119H	19	16	10	1	22	1
K120	20	16	10	1	23	1
K121B	21	14	10	1	24	1
K121	21	16	10	1	24	1
K122D	22	9	8	1	25	1
K122B	22	14	10	1	25	1
K122	22	16	10	1	25	1
K124	24	16	10	1	27	1
K126	26	16	10	1	29	1
K128	28	16	10	1	31	1
K130	30	9	8	1	32	1
K131	31	16	10	1	34	1
K133	33	12	8	1	36	1
K134	34	12	10	1	37	1
K135	35	13	10	1	35	1
K136	36	16	10	1	39	1



K1 型 用于镶制中空一字形、十字形、三刃形和 X 形冲击凿岩钎头和潜孔钻头
K1 type to mount the hollow "一" shaped, "十" shaped, three-flanged, and "X" shaped impact rock blade bits and down-the-hole drill bits

// K21 型 // K21 Type

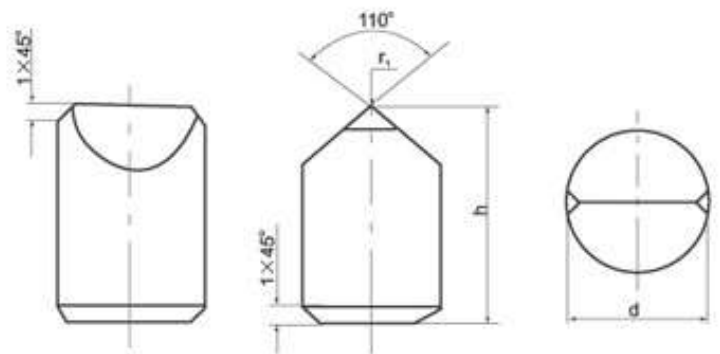
型号 Type	公称尺寸 Nominal size					
	l	h	s	e	r	r ₁
K2114	14	12	8	1	20	0.5~1
K2116	16	12	8	1	22	0.5~1
K2118	18	14	10	1	22.5	0.5~1
K2120	20	16	10	1	28.5	0.5~1
K2126	26	16	10	1.5	35	0.5~1
K2126A	26	18	10	1.5	35	0.5~1
K2128	28	16	10	1.5	35	0.5~1
K2128A	28	18	10	1.5	35	0.5~1
K2130	30	16	12	1.5	38	0.5~1
K2130A	30	18	12	1.5	38	0.5~1
K2132	32	16	12	2.0	44.5	0.5~1
K2132A	32	18	12	2.0	44.5	0.5~1
K2135	35	16	12	2.0	51	0.5~1
K2135A	35	18	12	2.0	51	0.5~1
K2139	39	18	14	2.0	57.5	0.5~1
K2143	43	20	14	2.0	63.5	0.5~1



K21 型 用于镶制十字形、三刃形和 X 形冲击凿岩钎头和潜孔钻头
K21 type to mount the "十" shaped, three-flanged, and "X" shaped impact rock blade bits and down-the-hole drill bits

// K30 型 // K30 Type

型号 Type	公称尺寸 Nominal size		
	d	h	r ₁
K3008	8	14	0.5~1
K3010	10	16	0.5~1
K3012	12	16	0.5~1
K3014	14	18	0.5~1
K3016	16	20	0.5~1
K3016A	16	22	0.5~1
K3018	18	20	0.5~1



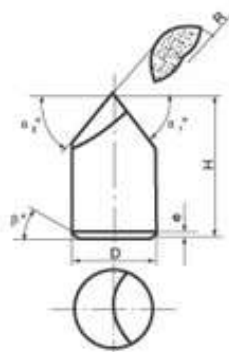
K30 型 用于镶制冲击凿岩断续一字形、三刃形和十字形钎头
K30 type to mount the "一" shaped, and three-flanged blade bits for

煤炭采掘工具用硬质合金制品 GB/T14445-1993

Cemented carbide products for coal excavating tools GB/T14445-1993

// M21 型 // M21 Type

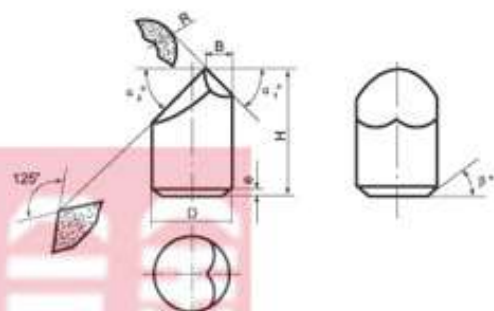
型号 Type	公称尺寸 Nominal size						
	D	H	R	$\alpha_1^{(0)}$	$\alpha_2^{(0)}$	e	$\beta^{(0)}$
M2110A	10	18	8.0	53	53	1.0	30
M2110B	10	20	5.5	50	58	1.0	45
M2112A	12	20	6.5	32	40	1.0	45
M2112B	12.5	25	10	46	46	1.0	30
M2115	15	22	11	45	45	2.5	30
M2118	18	20	14.4	37	37	1.5	45



M21 型 镶制采掘机械截齿和单牙轮钻头齿
M21 type to mount the pick and the single tri-cone rotary drill bit of excavating machinery

// M22 型 // M22 Type

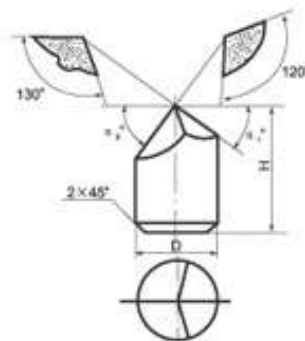
型号 Type	公称尺寸 Nominal size							
	D	H	R	$\alpha_1^{(0)}$	$\alpha_2^{(0)}$	B	e	$\beta^{(0)}$
M2210A	10	18	8	48	33	-	1	45
M2210B	10	20	8	48	33	-	1	45
M2212A	12	22	9	50	50	4	1	30
M2212B	12.5	25	9	45	55	4	1	30
M2214	14	22	10	55	49	-	2	45
M2216	16	28	8	50	50	5	2	30
M2218	18	21.5	11	52	52	-	2	30



M22 型 镶制采掘机械和联合采煤机截齿
M22 type to mount the pick of excavating machinery and cutter-loader

// M23 型 // M23 Type

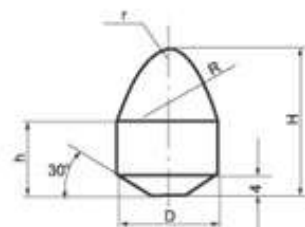
型号 Type	公称尺寸 Nominal size			
	D	H	$\alpha_1^{(0)}$	$\alpha_2^{(0)}$
M2312A	12	22	56	48
M2312B	12.5	25	56	48
M2314A	14	22	56	48
M2314B	14	25	56	48



M23 型 镶制采掘机械截齿
M23 type to mount the pick of excavating machinery

// M24 型 // M24 Type

型号 Type	公称尺寸 Nominal size				
	D	H	h ⁽¹⁾	R	r
M2417A	17	26.5	12	26	1.75
M2417B	17	29.5	15	26	1.75



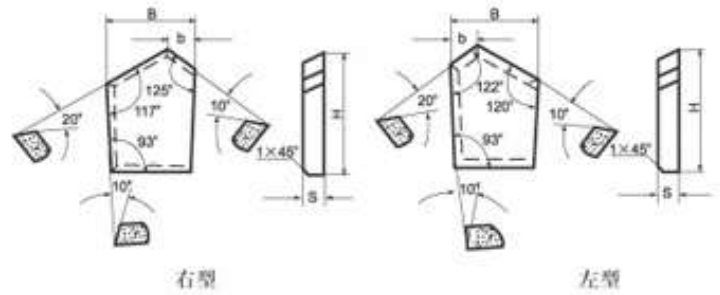
M24 型 镶制采掘机械截齿
M24 type to mount the pick of excavating machinery

煤炭采掘工具用硬质合金制品 GB/T14445-1993

Cemented carbide products for coal excavating tools GB/T14445-1993

// M10 型 // M10 Type

型号 Type	公称尺寸 Nominal size			
	B	H	S ⁽¹⁾	b
M1011R	11	12	2.5	4
M1011L	11	12	2.5	4
M1014R	14	19	3.8	4
M1014L	14	19	3.8	4
M1015R	15	22	3.0	5
M1015L	15	22	3.0	5
M1018R	18	22	6.0	5
M1018L	18	22	6.0	5



M10 型 镶制旋转钻进煤层和软岩层钻头
M10 type to mount the bit drilling into the coal bed and incompetent bed reelingly

// M11 型 // M11 Type

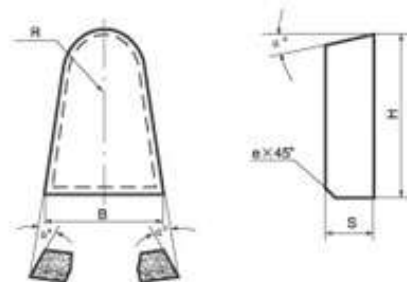
型号 Type	公称尺寸 Nominal size			
	B	H	h	s
M1112	12	18	15.8	3
M1113	13.4	26	23.8	3



M11 型 镶制旋转钻进煤层和软岩层钻头
M11 type to mount the bit drilling into the coal bed and incompetent bed reelingly

// M12 型 // M12 Type

型号 Type	公称尺寸 Nominal size					
	B	H	S	R	$\alpha^{(1)}$	e
M1216	16	22	7	6	15	1.0
M1220	20	27	8	7	15	1.0
M1222	22	22	7.5	9	10	1.5
M1230	30	35	12	8	8	1.0



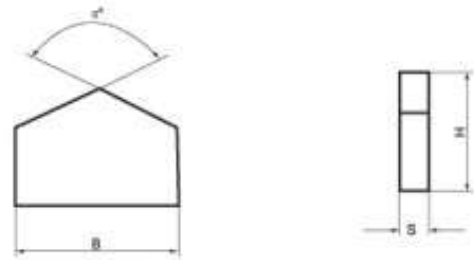
M12 型 镶制采掘机械截齿
M12 type to mount the pick of excavating machinery

煤炭采掘工具用硬质合金制品 GB/T14445-1993

Cemented carbide products for coal excavating tools GB/T14445-1993

// M13 型 // M13 Type

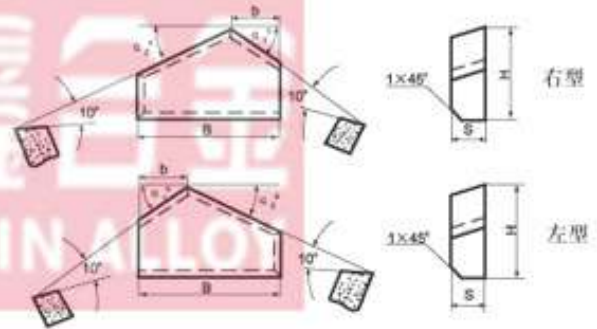
型号 Type	公称尺寸 Nominal size			
	B	H	S	$\alpha^{(0)}$
M1306	6	5	1.4	130
M1311	11	9	2.0	130
M1313	13	10	2.5	130
M1315	15	10	2.5	130
M1317	17	13	3.0	130
M1319	19	13	3.0	130
M1322	22	15	3.5	130
M1326	26	18	4.5	130
M1333	33	22	3.0	130
M1345	45	27	9.0	130



M13 型 镶制旋转钻头头和采掘机械截齿
M13 type to mount the bit of rotary driller and the pick of excavating machinery

// M14 型 // M14 Type

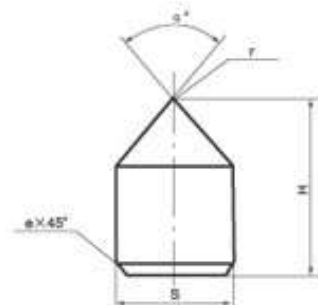
型号 Type	公称尺寸 Nominal size					
	B	H	S	b	$\alpha_1^{(0)}$	$\alpha_2^{(0)}$
M1427R	27.5	22	4.5	10	30	35
M1427L	27.5	22	4.5	10	35	30
M1445R	45	21	9	15	31	17
M1445L	45	21	9	15	17	31



M14 型 镶制采掘机械截齿
M14 type to mount the pick of excavating machinery

// M20 型 // M20 Type

型号 Type	公称尺寸 Nominal size				
	D	H	r	$\alpha_1^{(0)}$	e
M2009	9	16	1.0	90	1.0
M2012A	12	18	1.5	82	1.0
M2012B	12	20	1.5	82	1.5
M2018	18	32	1.5	82	2.0



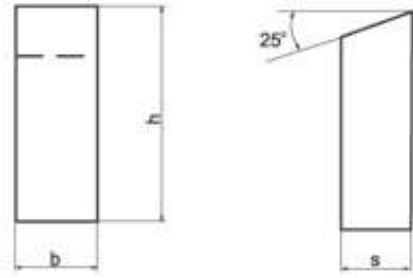
M20 型 镶制采掘机械截齿
M20 type to mount the pick of excavating machinery

地质勘探工具用硬质合金制品 GB/T11102-1989

Cemented carbide products for geological prospecting tools GB/T11102-1989

// T21 型 // T21 Type

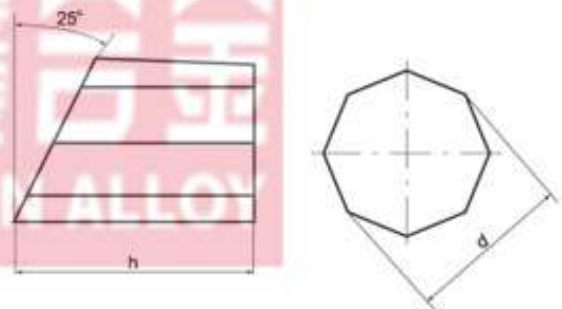
型号 Type	公称尺寸 Nominal size		
	b	h	s
T2105	5	7	3
T2105A	5	8	5
T2105B	5	10	5
T2105C	5	13	5
T2107	7.5	10	3
T2107A	7	20	7
T2108	8.5	8	3
T2110	10	14	4
T2114	14	25	12



T21 型 用于钻进较硬地层取岩心钻头
T21 type for core bits drilling rather hard stratum

// T30 型 // T30 Type

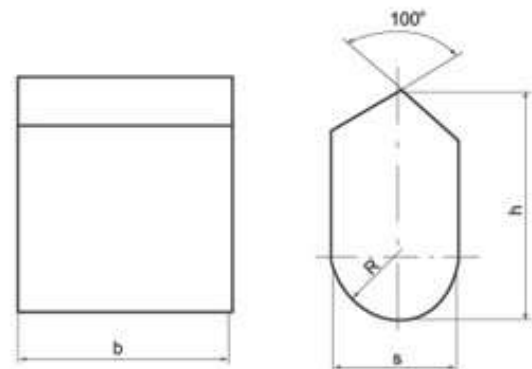
型号 Type	公称尺寸 Nominal size	
	d	h
T3005	5	10
T3007	7	10
T3007A	7	15
T3007B	7	20
T3010	10	15
T3010A	10	20



T30 型 用于钻进硬地层取岩心钻头
T21 type for core bits drilling hard stratum

// T40 型 // T40 Type

型号 Type	公称尺寸 Nominal size			
	b	h	s	R
T4010	10	10	8	4
T4012	12	12	8	4
T4014	14	14	8	4



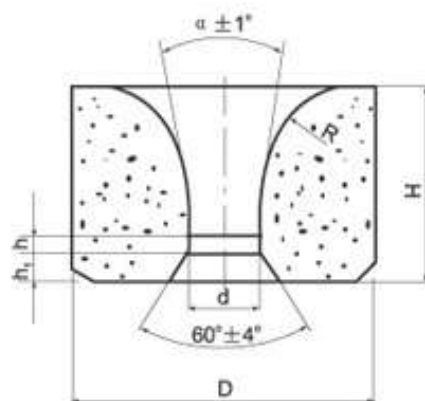
T40 型 用于冲击回转钻进破碎岩层钻头
T40 type for chopping bit and abrasion drill bits drilling into rock stratum

硬质合金拉伸模毛坯 GB/T6883-1995

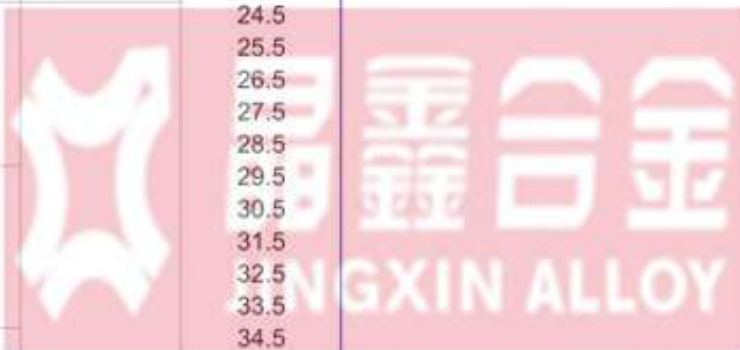
Cemented carbide drawing die blank GB/T6883-1995

// S13 型金属棒材拉伸模 // S13 type for metal bar drawing die

型号 Type	基本尺寸 General size				
	D	H	d		
S13-5.7	30	21	5.7		
S13-6.7			6.7		
S13-7.7			7.7		
S13-8.6			8.6		
S13-9.6			9.6		
S13-10			10.5		
S13-11	40	25	11.5		
S13-12			12.5		
S13-13			13.5		
S13-14			14.5		
S13-15			15.5		
S13-16			16.5		
S13-17	50	28	17.5		
S13-18			18.5		
S13-19			19.5		
S13-20			20.5		
S13-21			21.5		
S13-22			22.5		
S13-23	60	30	23.5		
S13-24			24.5		
S13-25			25.5		
S13-26			26.5		
S13-27			27.5		
S13-28			28.5		
S13-29	65	32	29.5		
S13-30			30.5		
S13-31			31.5		
S13-32			32.5		
S13-33			33.5		
S13-34			34.5		
S13-35	75	35	35.5		
S13-36			36.5		
S13-37			37.5		
S13-38			38.5		
S13-39			39.5		
S13-40			40.5		
S13-41-80	80	35	41.5		
S13-42-80			42.5		
S13-43-80			43.5		
S13-44-80			44.5		
S13-45-80			45		
S13-41			85	35	41.5
S13-42	42.5				
S13-43	43.5				
S13-44	44.5				
S13-45	45				
S13-47-90	90	35			47
S13-49-90			49		
S13-51-90			51		
S13-53-95			95	35	53
S13-55-95					55
S13-57-95					57
S13-47	100	35			47
S13-49					49
S13-51					51
S13-53			53		
S13-55			55		
S13-57			57		



S13 型

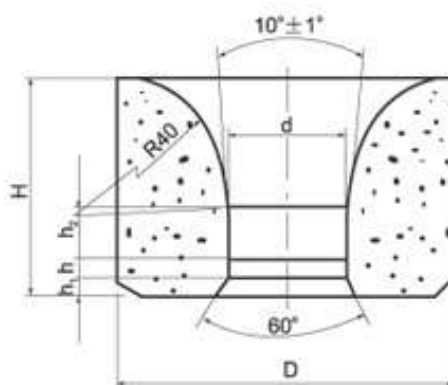


硬质合金拉伸模毛坯 GB/T6883-1995

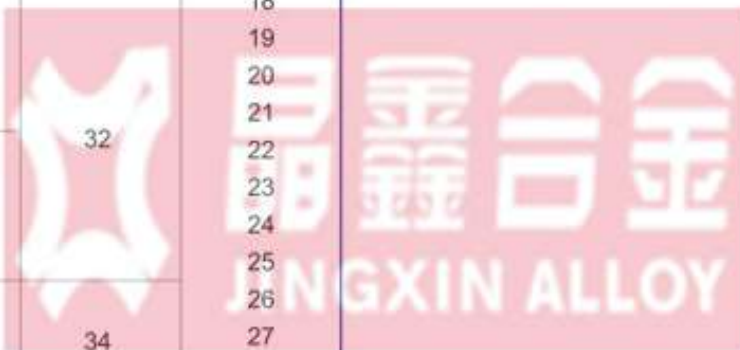
Cemented carbide drawing die blank GB/T6883-1995

// S20 型黑色金属管材拉伸模 // S20 type for ferrous metal pipe stock drawing die

型号 Type	基本尺寸 General size		
	D	H	d
S20-2	16	14	2
S20-3			3
S20-4			4
S20-5	22	18	5
S20-6			6
S20-7			7
S20-8	30	22	8
S20-9			9
S20-10			10
S20-11	35	25	11
S20-12			12
S20-13			13
S20-14	40	28	14
S20-15			15
S20-16			16
S20-17	45	30	17
S20-18			18
S20-19			19
S20-20	50	32	20
S20-21			21
S20-22			22
S20-23	55	32	23
S20-24			24
S20-25			25
S20-26	60	34	26
S20-27			27
S20-28			28
S20-29	65	36	29
S20-30			30
S20-31			31
S20-33	75	42	33
S20-35			35
S20-37			37
S20-39	85	45	39
S20-41			41
S20-43			43
S20-45	95	48	45
S20-47			47
S20-51			51
S20-56	100	52	56
S20-60			60



S20 型

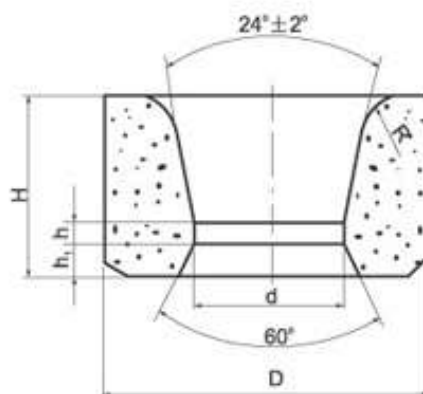


硬质合金拉伸模毛坯 GB/T6883-1995

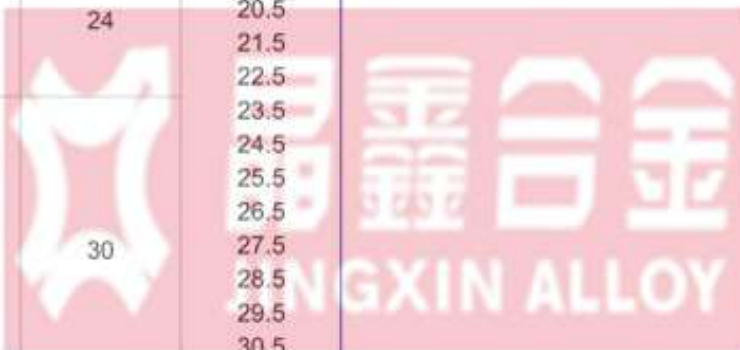
Cemented carbide drawing die blank GB/T6883-1995

// S22 型有色金属管材拉伸模 // S22 type for non-ferrous pipe stock drawing die

型号 Type	基本尺寸 General size		
	D	H	d
S22-2.8			2.8
S22-3.8	20	13	3.8
S22-4.7			4.7
S22-5.7			5.7
S22-6.7			6.7
S22-7.6	30	18	7.6
S22-8.6			8.6
S22-9.6			9.6
S22-10			10.5
S22-11			11.5
S22-12			12.5
S22-13			13.5
S22-14	45	24	14.5
S22-15			15.5
S22-16			16.5
S22-17			17.5
S22-18			18.5
S22-19			19.5
S22-20	45	24	20.5
S22-21			21.5
S22-22			22.5
S22-23			23.5
S22-24			24.5
S22-25			25.5
S22-26			26.5
S22-27	60	30	27.5
S22-28			28.5
S22-29			29.5
S22-30			30.5
S22-31			31.5
S22-32			32.5
S22-33			33.5
S22-34			34.5
S22-35			35.5
S22-36			36.5
S22-37	80	35	37.5
S22-38			38.5
S22-39			39.5
S22-41			41.5
S22-44			44.5
S22-47			47
S22-49			49
S22-52	90		52
S22-55		40	55
S22-57	100		57
S22-59			59
S22-62			62
S22-64	120	45	64
S22-67			67
S22-69			69
S22-72			72
S22-74	130		74
S22-77		50	77
S22-79			79
S22-84	140		84
S22-88			88



S22 型

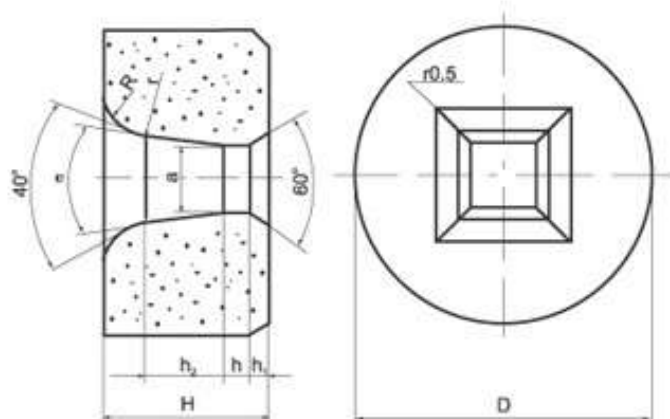


硬质合金拉伸模毛坯 GB/T6883-1995

Cemented carbide drawing die blank GB/T6883-1995

// S40 型正方形型材拉伸模 // S40 type for square proximate matter drawing die

型号 Type	基本尺寸 General size		
	D	H	d
S40-1.4			1.4
S40-1.8	16	12	1.8
S40-2.4			2.4
S40-2.8			2.8
S40-3.2	22	18	3.2
S40-3.6			3.6
S40-4			4.0
S40-4.6			4.6
S40-5	30	21	5.0
S40-5.7			5.7
S40-6.7			6.7
S40-7.7			7.7
S40-8.7	35		8.7
S40-9.7			9.7
S40-10		25	10.7
S40-11			11.7
S40-12	40		12.7
S40-13			13.7
S40-14			14.7
S40-15	50		15.7
S40-16		28	16.7
S40-17	55		17.7
S40-18			18.7
S40-19			19.7
S40-20			20.7
S40-21	60	30	21.7
S40-22			22.7
S40-23			23.7
S40-24			24.7
S40-25	70		25.5
S40-26			26.5
S40-27			27.5
S40-28	75		28.5
S40-29			29.5
S40-30			30.5
S40-31-80			31.5
S40-32-80	80		32.5
S40-31			31.5
S40-32		35	32.5
S40-33-85			33.5
S40-34-85			34.5
S40-33			33.5
S40-34			34.5
S40-35-90			35.5
S40-36-90	90		36.5
S40-37-90			37.5
S40-35			35.5
S40-36			36.5
S40-37	100		37.5
S40-38			38.5
S40-39			39.5



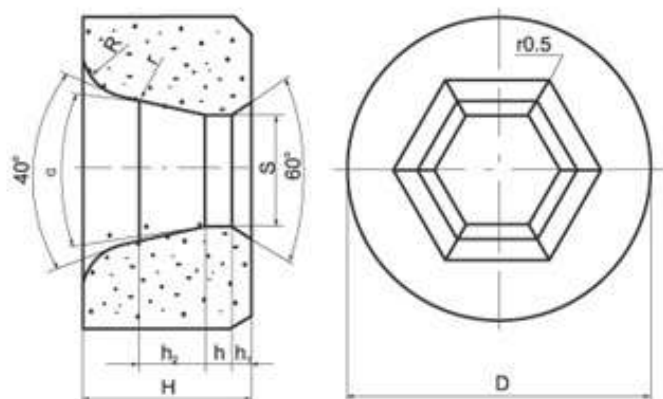
S40 型

硬质合金拉伸模毛坯 GB/T6883-1995

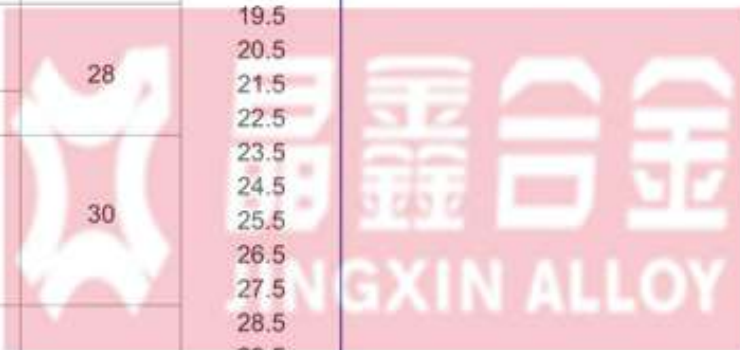
Cemented carbide drawing die blank GB/T6883-1995

// S60 六方形型材拉伸模 // S60 type for hexagonal proximate matter drawing die

型号 Type	基本尺寸 General size				
	D	H	d		
S60-2.5	30	21	2.5		
S60-3			3.0		
S60-4			4.0		
S60-4.7			4.7		
S60-5.7			5.7		
S60-6.7			6.7		
S60-7.7			7.7		
S60-8.7			8.7		
S60-9.7			9.7		
S60-10			10.6		
S60-11	40	25	11.5		
S60-12			12.5		
S60-13			13.5		
S60-14			14.5		
S60-15			15.5		
S60-16			16.5		
S60-17			17.5		
S60-18			18.5		
S60-19			19.5		
S60-20			55	28	20.5
S60-21	21.5				
S60-22	22.5				
S60-23	23.5				
S60-24	24.5				
S60-25	65	30			25.5
S60-26					26.5
S60-27					27.5
S60-28					28.5
S60-29					29.5
S60-30			70	35	30.5
S60-31					31.3
S60-32					32.3
S60-33					33.3
S60-34					34.3
S60-35	35.3				
S60-36-80	36.3				
S60-37-80	37.3				
S60-36	36.3				
S60-37	37.3				
S60-38-85	85	35	38.3		
S60-39-85			39.3		
S60-41-85			41		
S60-38			38.3		
S60-39			39.3		
S60-41			41		
S60-42-90			90	40	42
S60-44-90					44
S60-47-90					47
S60-42					42
S60-44	44				
S60-47	47				
S60-49-100	100	40			49
S60-49					49
S60-52					52
S60-54					54



S60 型

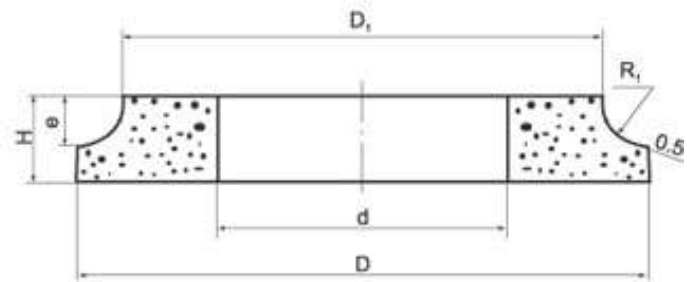


硬质合金密封毛坯 YS/T60-1993

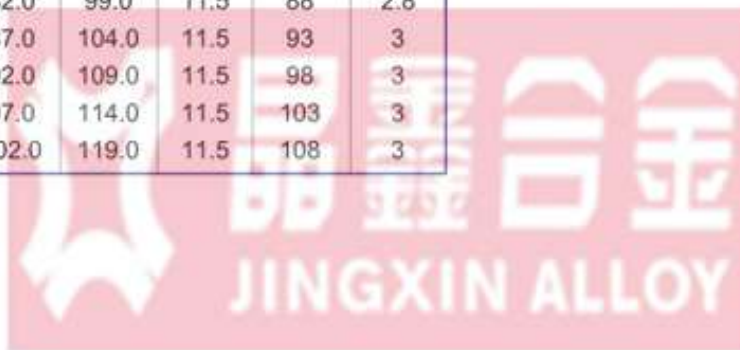
Cemented carbide sealing ring blank YS/T60-1993

// TH 型 // TH Type

型号 Type	基本尺寸 General size				
	d	D	H	D ₁	e
TH18	18.0	27.0	7.5	22	2.8
TH20	20.0	29.0	7.5	24	2.8
TH22	22.0	31.0	7.5	26	2.8
TH24	24.0	33.0	7.5	28	2.8
TH27	27.0	36.0	7.5	31	2.8
TH30	30.0	39.0	7.5	34	2.8
TH32	32.0	45.0	8.5	37	2.8
TH37	37.0	50.0	8.5	42	2.8
TH42	42.0	55.0	8.5	47	2.8
TH47	47.0	60.0	8.5	52	2.8
TH52	52.0	65.0	8.5 speckled</td <td>57</td> <td>2.8</td>	57	2.8
TH57	57.0	70.0	8.5	62	2.8
TH62	62.0	75.0	8.5	67	2.8
TH67	67.0	84.0	11.5	72	2.8
TH72	72.0	89.0	11.5	78	2.8
TH77	77.0	94.0	11.5	83	2.8
TH82	82.0	99.0	11.5	88	2.8
TH87	87.0	104.0	11.5	93	3
TH92	92.0	109.0	11.5	98	3
TH97	97.0	114.0	11.5	103	3
TH102	102.0	119.0	11.5	108	3



TH 型(凸环)

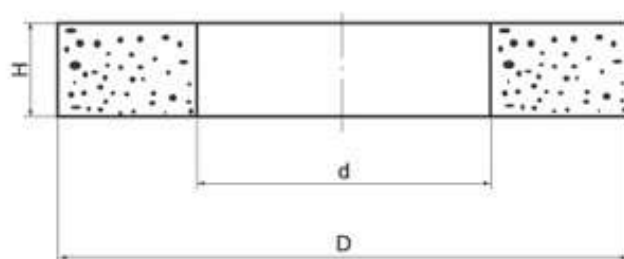


硬质合金密封毛坯 YS/T60-1993

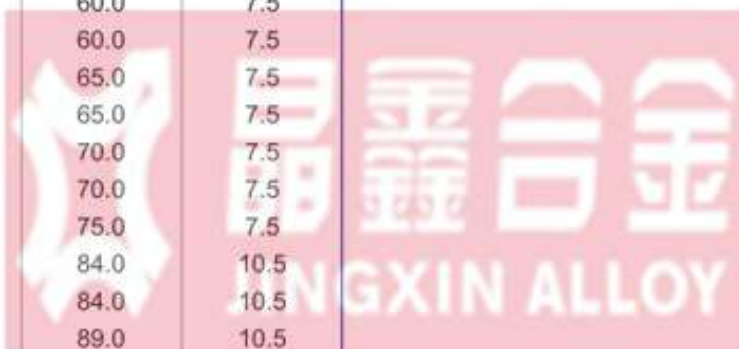
Cemented carbide sealing ring blank YS/T60-1993

// PH 型 // PH Type

型号 Type	基本尺寸 General size		
	d	D	H
PH12	12.0	24.0	6.5
PH14	14.0	26.0	6.5
PH16	16.0	27.0	6.5
PH18	18.0	29.0	6.5
PH20	20.0	31.0	6.5
PH21	21.0	33.0	6.5
PH22	22.0	33.0	6.5
PH23	23.0	36.0	6.5
PH25	25.0	36.0	6.5
PH26	26.0	38.0	6.5
PH28	28.0	39.0	6.5
PH30	30.0	45.0	7.5
PH33	33.0	50.0	7.5
PH35	35.0	50.0	7.5
PH38	38.0	55.0	7.5
PH40	40.0	55.0	7.5
PH43	43.0	60.0	7.5
PH45	45.0	60.0	7.5
PH48	48.0	65.0	7.5
PH50	50.0	65.0	7.5
PH53	53.0	70.0	7.5
PH55	55.0	70.0	7.5
PH58	58.0	75.0	7.5
PH60	60.0	84.0	10.5
PH63	63.0	84.0	10.5
PH65	65.0	89.0	10.5
PH68	68.0	89.0	10.5
PH70	70.0	89.0	10.5
PH73	73.0	94.0	10.5
PH75	75.0	94.0	10.5
PH78	78.0	99.0	10.5
PH80	80.0	99.0	10.5
PH83	83.0	104.0	10.5
PH85	85.0	104.0	10.5
PH88	88.0	109.0	10.5
PH90	90.0	109.0	10.5
PH93	93.0	114.0	10.5
PH95	95.0	114.0	10.5
PH100	100.0	119.0	10.5



PH 型(平环)

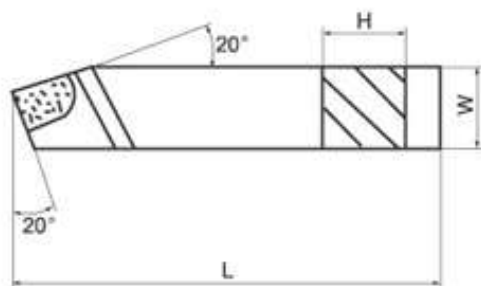
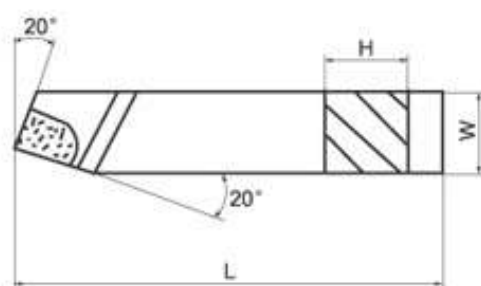


硬质合金焊接车刀

Carbide brazed turning tools

// ISO1/DIN4971

型号 Type	基本尺寸 General size			订货代号 Reserve code
	W	H	L	
R1010/L1010	10	10	90	M1-1-1010
R1212/L1212	12	12	100	M1-1-1212
R1616/L1616	16	16	110	M1-1-1616
R2020/L2020	20	20	125	M1-1-2020
R2525/L2525	25	25	140	M1-1-2525
R2012/L2012	12	20	125	M1-1-2012
R2516/L2516	16	25	140	M1-1-2516
R3220/L3220	20	32	170	M1-1-3220

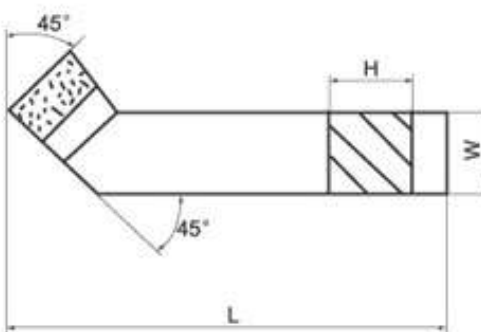
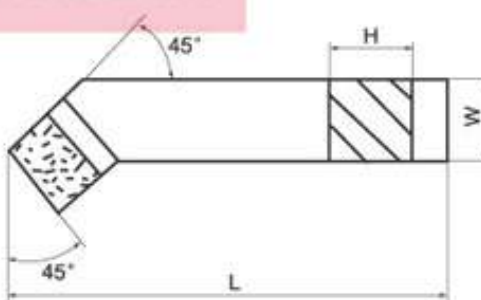


ISO1/DIN4971



// ISO2/DIN4972

型号 Type	基本尺寸 General size			订货代号 Reserve code
	W	H	L	
R1010/L1010	10	10	90	M1-3-1010
R1212/L1212	12	12	100	M1-3-1212
R1616/L1616	16	16	110	M1-3-1616
R2020/L2020	20	20	125	M1-3-2020
R2525/L2525	25	25	140	M1-3-2525
R3232/L3232	32	32	170	M1-3-3232
R4040/L4040	40	40	200	M1-3-4040
R5050/L5050	50	50	240	M1-3-5050



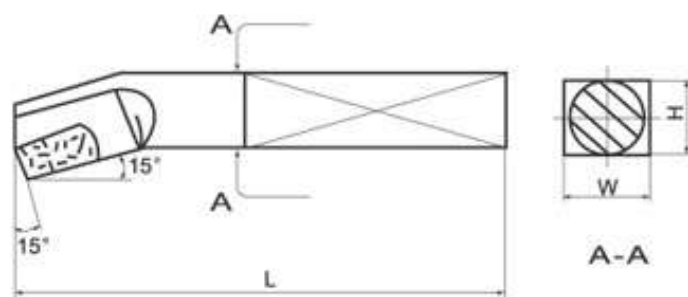
ISO2/DIN4972

硬质合金焊接车刀

Carbide brazed turning tools

// IS08/DIN4973

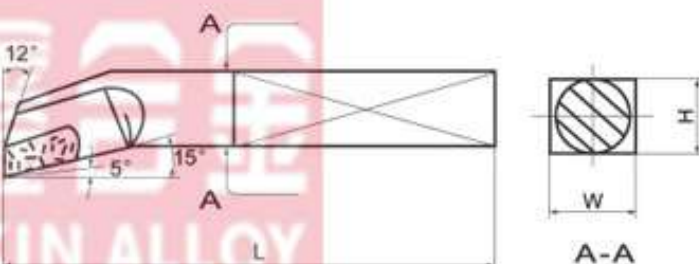
型号 Type	基本尺寸 General size			订货代号 Reserve code
	W	H	L	
0808	8	8	125	M1-14-0808
1010	10	10	150	M1-14-1010
1212	12	12	180	M1-14-1212
1616	16	16	210	M1-14-1616
2020	20	20	250	M1-14-2020
2525	25	25	300	M1-14-2525
3232	32	32	355	M1-14-2332



IS08/DIN4973

// IS09/DIN4974

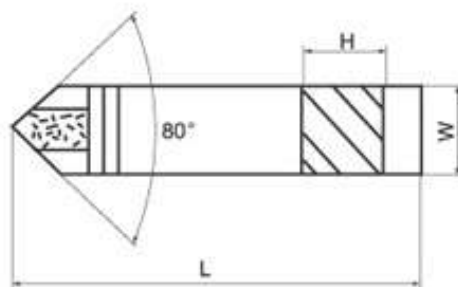
型号 Type	基本尺寸 General size			订货代号 Reserve code
	W	H	L	
0808	8	8	125	M1-15-0808
1010	10	10	150	M1-15-1010
1212	12	12	180	M1-15-1212
1616	16	16	210	M1-15-1616
2020	20	20	250	M1-15-2020
2525	25	25	300	M1-15-2525
3232	32	32	355	M1-15-2332



IS09/DIN4974

// IS10/DIN4975

型号 Type	基本尺寸 General size			订货代号 Reserve code
	W	H	L	
1208	8	12	100	M2-7-1208
1610	10	16	110	M2-7-1610
2012	12	20	125	M2-7-2012
2516	16	25	140	M2-7-2516
3220	20	32	170	M2-7-3220
4025	25	40	200	M2-7-4025



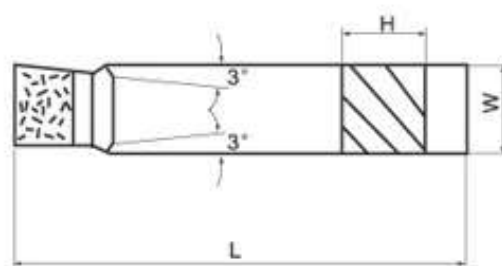
IS10/DIN4975

硬质合金焊接车刀

Carbide brazed turning tools

// IS04/DIN4976

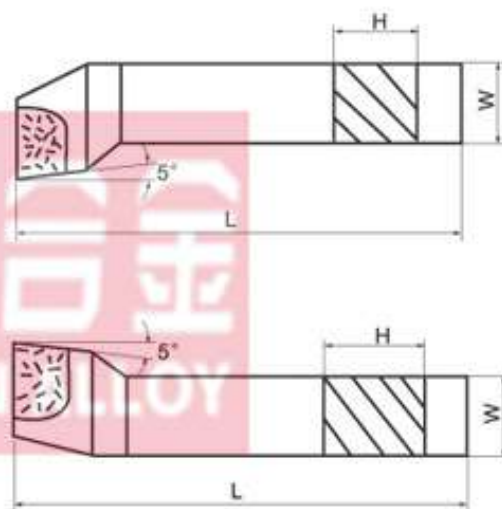
型号 Type	基本尺寸 General size			订货代号 Reserve code
	W	H	L	
1010	10	10	90	M1-7-1010
1212	12	12	100	M1-7-1212
1616	16	16	110	M1-7-1616
2020	20	20	125	M1-7-2020
2525	25	25	140	M1-7-2525
2012	32	20	125	M1-7-2012
2516	16	25	140	M1-7-2516
3220	20	32	170	M1-7-3220



IS04/DIN4976

// IS05/DIN4977

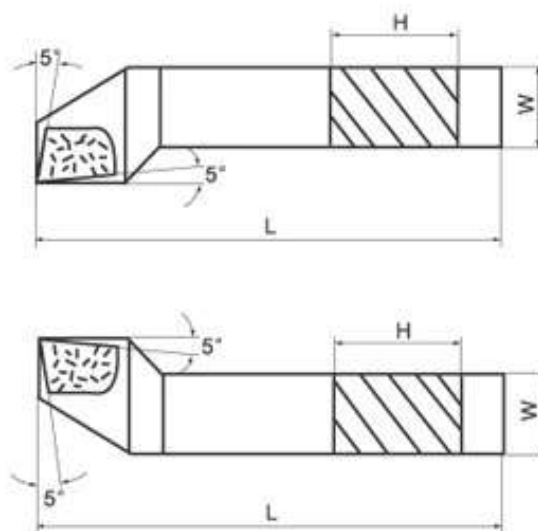
型号 Type	基本尺寸 General size			订货代号 Reserve code
	W	H	L	
R1010/L1010	10	10	90	M1-8-1010
R1212/L1212	12	12	100	M1-8-1212
R1616/L1616	16	16	110	M1-8-1616
R2020/L2020	20	20	125	M1-8-2020
R2525/L2525	25	25	140	M1-8-2525
R3232/L3232	32	20	170	M1-8-3232
R4040/L4040	16	25	200	M1-8-4040
R5050/L5050	20	32	240	M1-8-5050



IS05/DIN4977

// IS03/DIN4978

型号 Type	基本尺寸 General size			订货代号 Reserve code
	W	H	L	
R1616/L1616	10	16	110	M1-5-1616
R2012/L2012	12	20	125	M1-5-2012
R2516/L2516	16	25	140	M1-5-2516
R3220/L3220	20	32	170	M1-5-3220
R4025/L4025	25	40	200	M1-5-4025
R5032/L5032	32	50	240	M1-5-5032



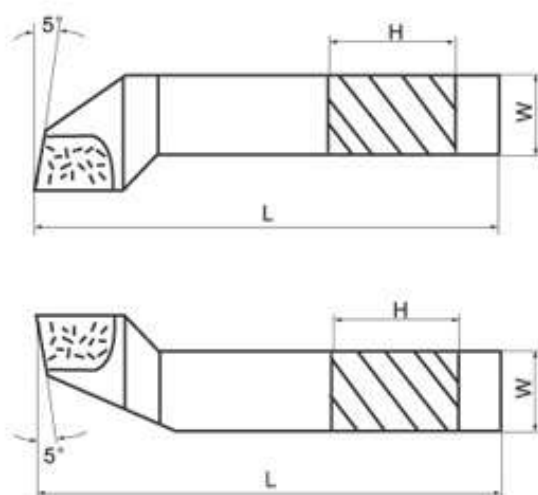
IS03/DIN4978

硬质合金焊接车刀

Carbide brazed turning tools

// ISO6/DIN4980

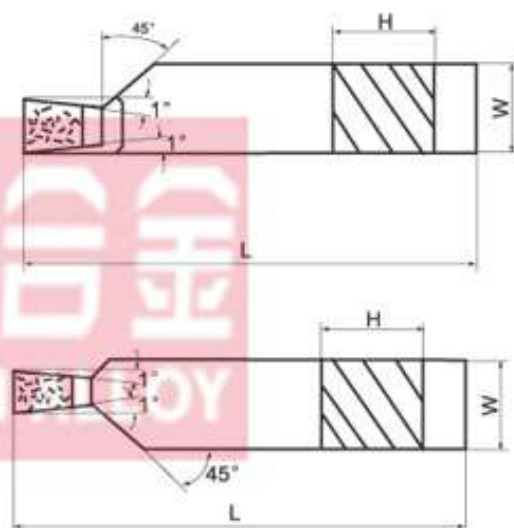
型号 Type	基本尺寸 General size			订货代号 Reserve code
	W	H	L	
R1208/L1208	8	12	100	M1-12-1208
R1610/L1610	10	16	110	M1-12-1610
R2012/L2012	12	20	125	M1-12-2012
R2516/L2516	16	25	140	M1-12-2516
R3220/L3220	20	32	170	M1-12-3220
R4025/L4025	25	40	200	M1-12-4025
R5032/L5032	32	50	240	M1-12-5032



ISO6/DIN4980

// ISO7/DIN4981

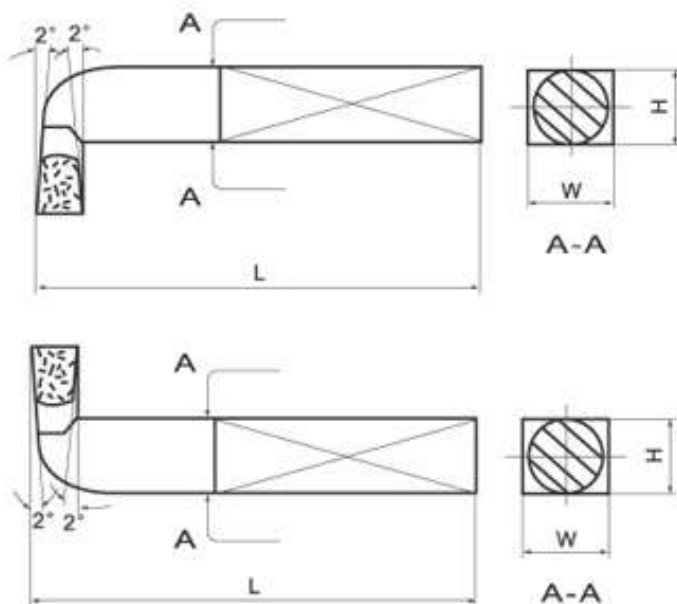
型号 Type	基本尺寸 General size			订货代号 Reserve code
	W	H	L	
R1010/L1010	10	10	90	M1-10-1010
R1212/L1212	12	12	100	M1-10-1212
R1616/L1616	16	16	110	M1-10-1616
R2020/L2020	20	20	125	M1-10-2020
R2525/L2525	25	25	140	M1-10-2525
R3232/L3232	32	32	170	M1-10-3232
R4040/L4040	40	40	200	M1-10-4040
R5050/L5050	50	50	240	M1-10-5050



ISO7/DIN4981

// DIN263

型号 Type	基本尺寸 General size			订货代号 Reserve code
	W	H	L	
R1010/L1010	10	10	150	M2-17-1010
R1212/L1212	12	12	180	M2-17-1212
R1616/L1616	16	16	210	M2-17-1616
R2020/L2020	20	20	250	M2-17-2020
R2525/L2525	25	25	300	M2-17-2525
R3232/L3232	32	32	355	M2-17-3232



DIN263